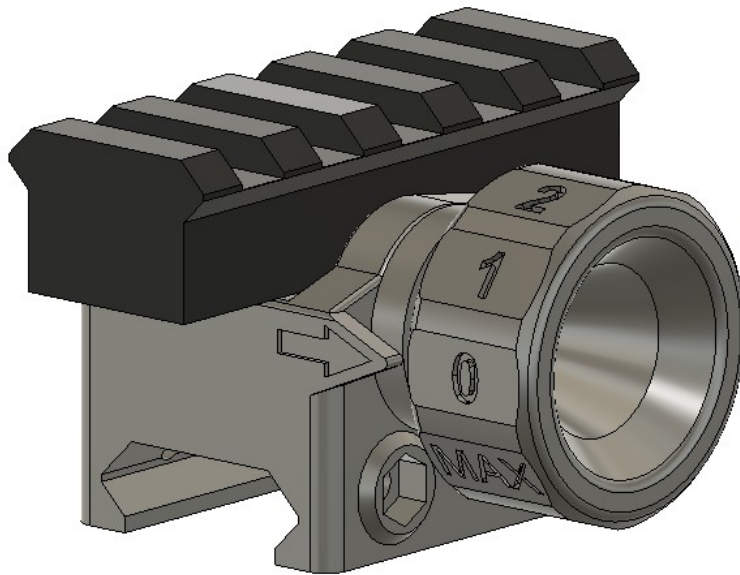


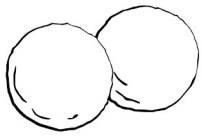
Danny Meatball & Co.

Adjustable Launcher Sight Guide



A DMB & Co. Production

Version 1.0.0



Description

An adjustable red dot mount for launchers. Can adjust to a 35 deg angle. Inspired by the H&K M302 red dot mount.

Hardware

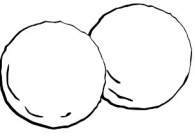
1x Small Spring (<5mm Diam)
1x Large Spring (~10mm Diam x 15mm Long)
4x M3x30mm Bolt
4x M3 Nut

Settings

Print in all walls. Parts are small, so print slow to retain smaller details. Supports recommended.

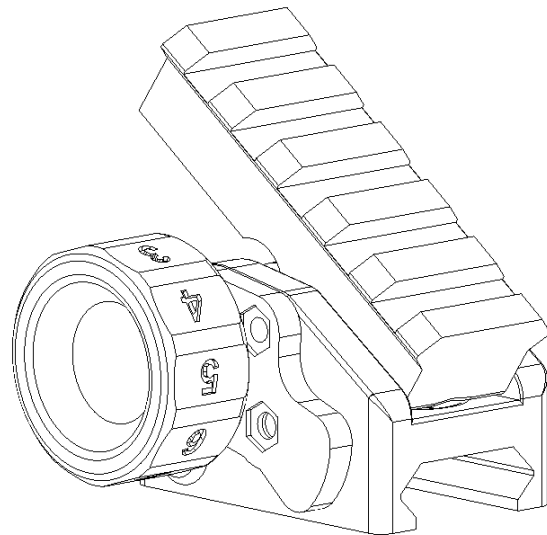
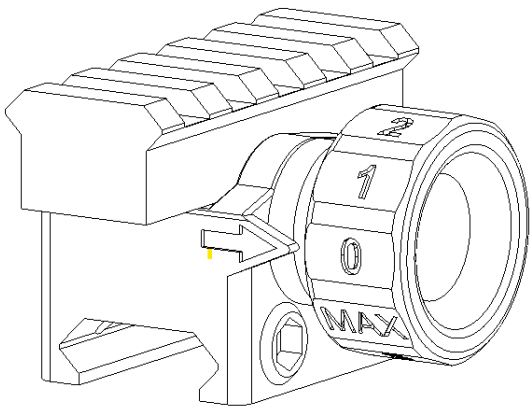
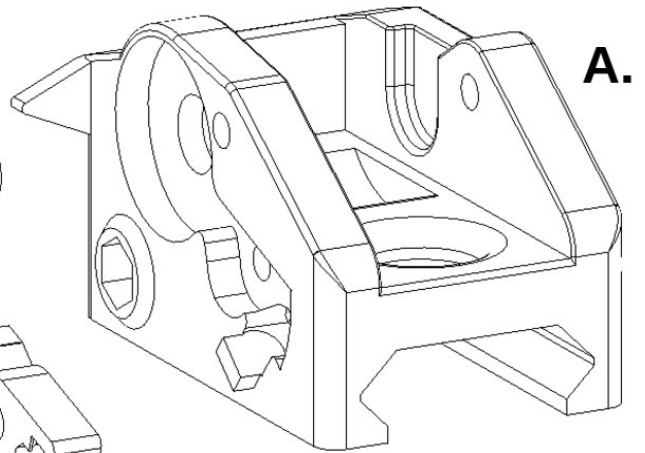
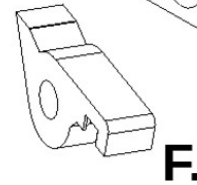
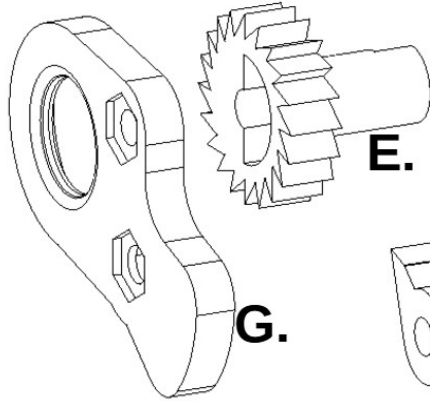
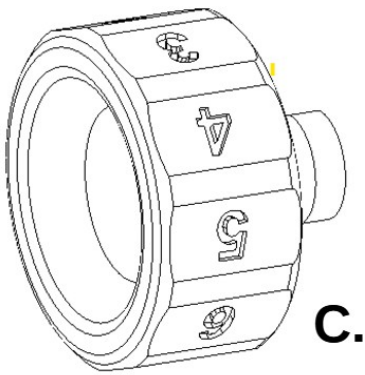
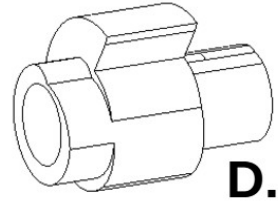
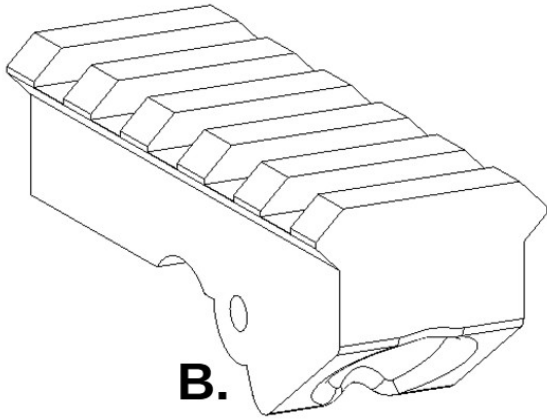
Orientation

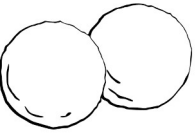
All parts are exported in the best print orientation.



Adjustable Launcher Sight

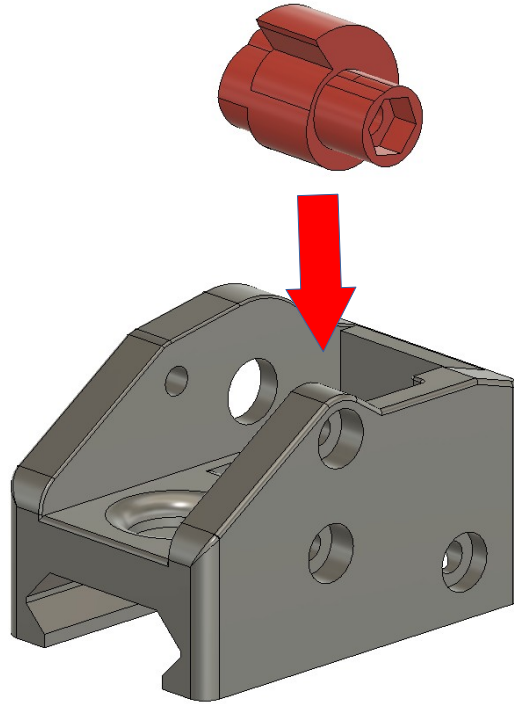
Printed Parts	
A.	Main Body
B.	Top Rail
C.	Knob
D.	Cam
E.	Gear
F.	Lever
G.	Cover



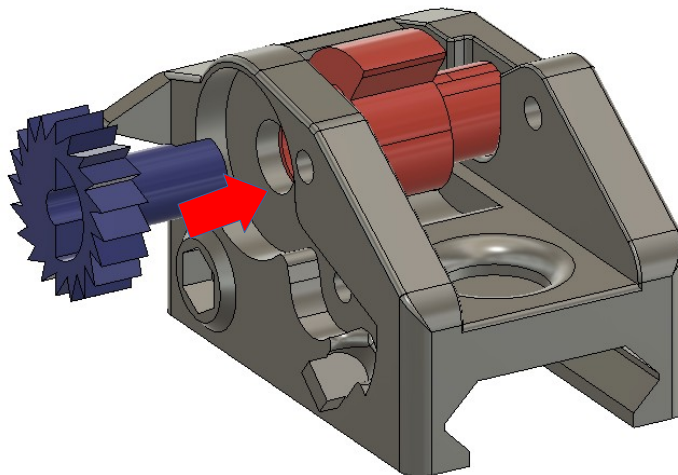


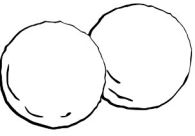
Assembly

Insert hex nut into Cam and place Cam into Main Body

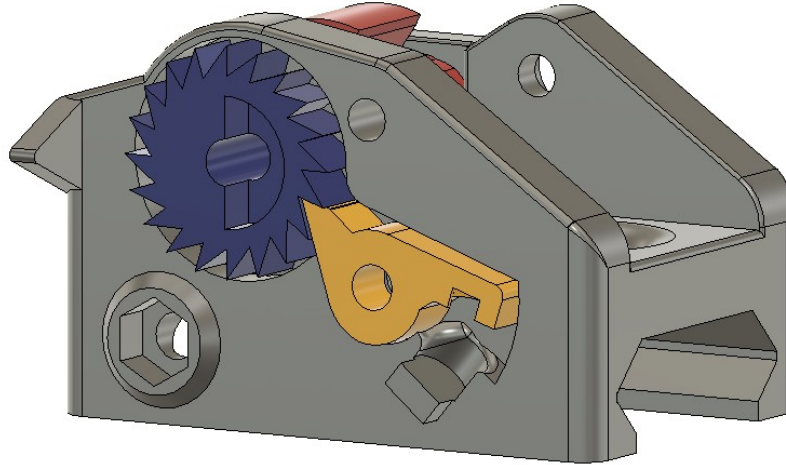


Insert Gear through Main Body into Cam.

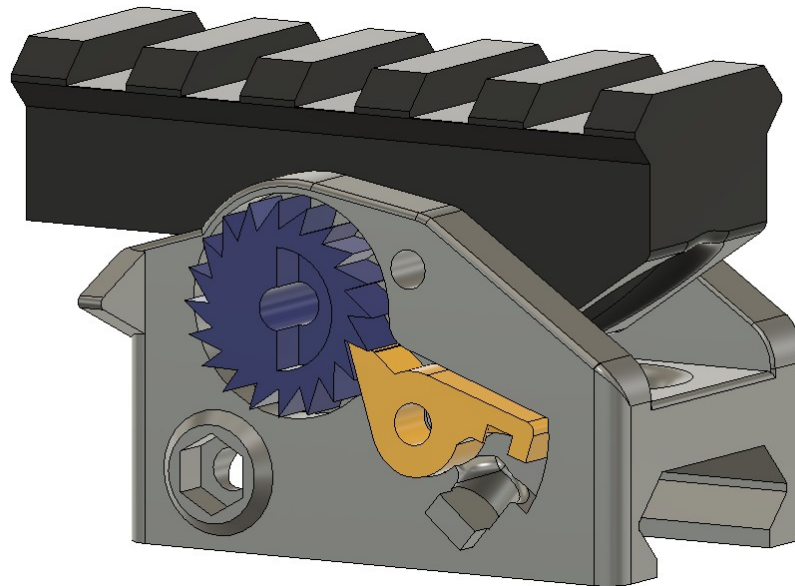


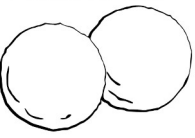


Insert Lever, Small Spring, and M3 Bolt

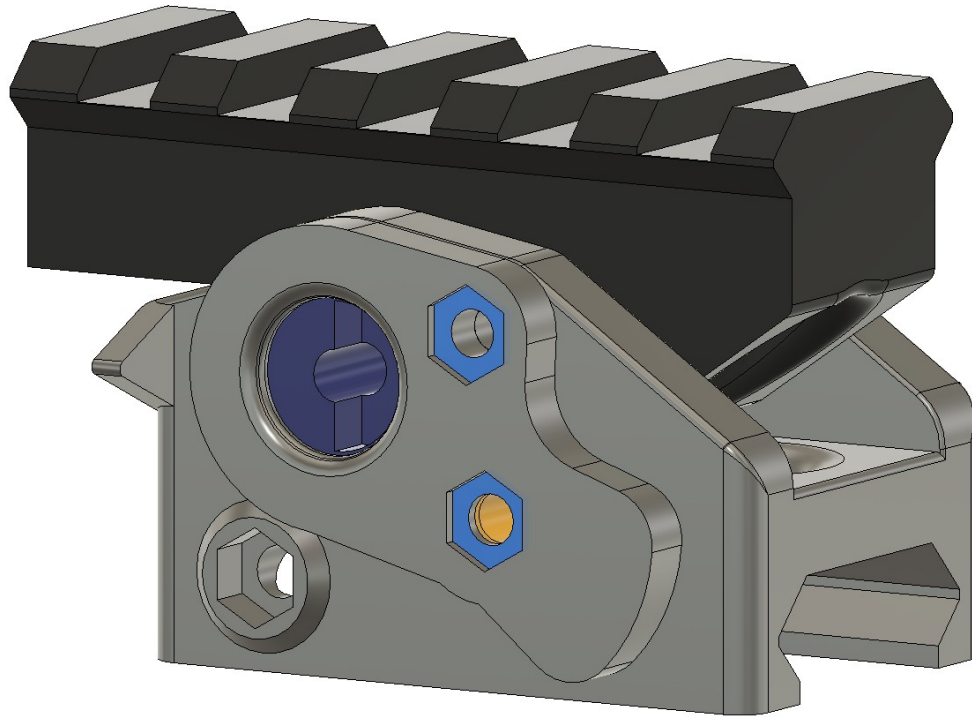


Insert Top Rail, Large Spring, and M3 Bolt

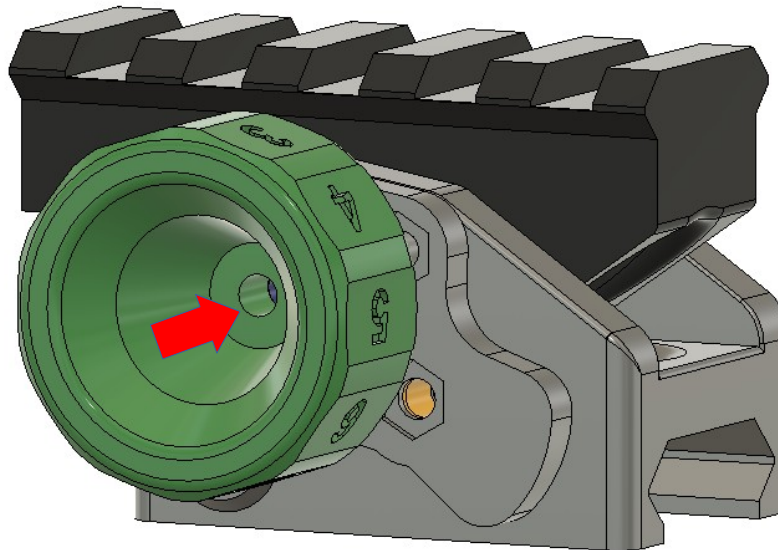


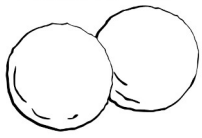


Install Cover and M3 Nuts



Install Knob and M3 Bolt





Credits

Testers:

40oz

Atticus

Eww

Coop

Nester

If you have any questions, comments, improvements, or suggestions please find me
[@dannymeatball:matrix.org](https://matrix.org) or [@danny.meatball](https://www.instagram.com/danny.meatball) on Instagram

Remember to love and respect each other.